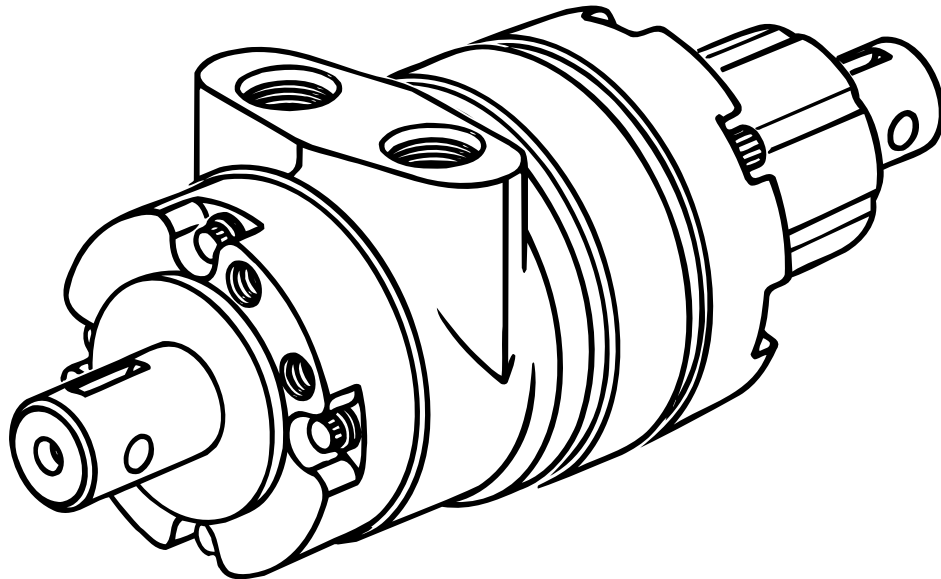




## Parts Information



Torque Generator

207-XXXX-001 and -006

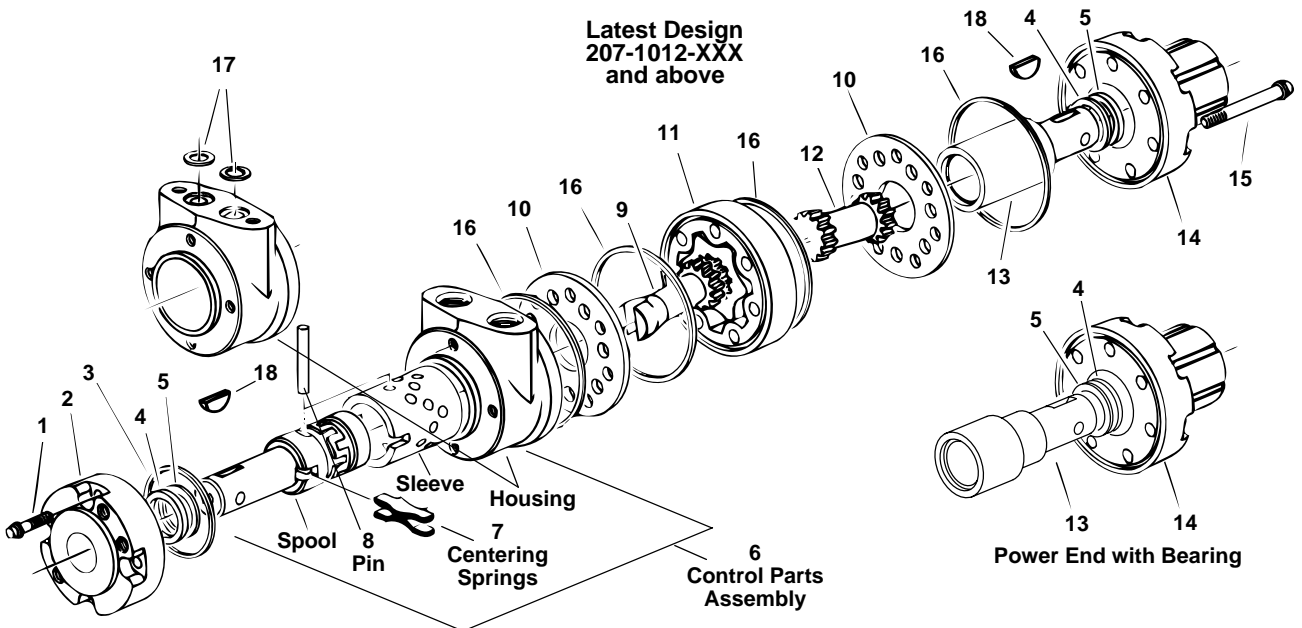
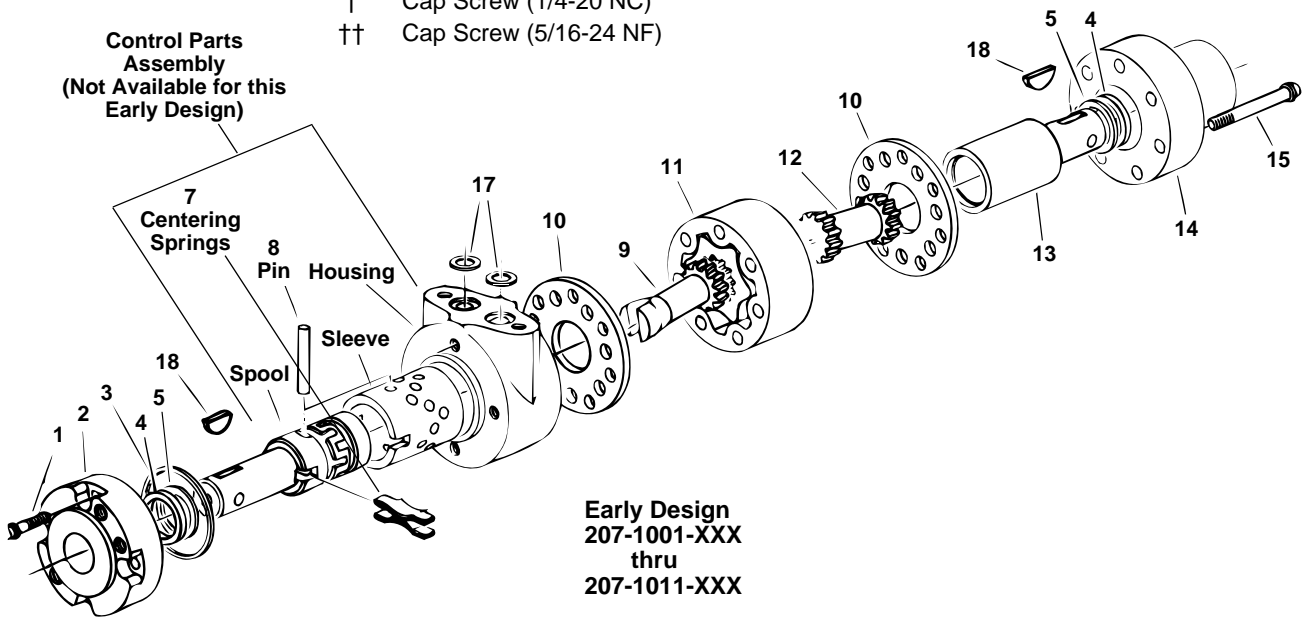
# Torque Generator

Displacement cu. cm./rev. [cu. in./rev.]	Item No. 9	Item No. 11	Item No. 12	Item No. 15
	Control End Drive (1)	Gerotor Assembly (1)	Power End Drive (1)	Power End Cap Screws (7)
101 [ 6.2 ]	147	N/A	148	21045-5 †
167 [10.2 ]	44	N/A	45	21045-6 †
59 [ 3.6 ]	147	8980-023	22948	5389-010 ††
76 [ 4.7 ]	147	8980-031	148	5389-015 ††
96 [ 5.9 ]	147	8980-003	148	5389-015 ††
126 [ 7.7 ]	44	8980-032	45	5389-018 ††
160 [ 9.7 ]	44	8980-004	45	5389-018 ††

N/A Not Available (These Items No Longer Available from Eaton)

† Cap Screw (1/4-20 NC)

†† Cap Screw (5/16-24 NF)



## Torque Generator

Item No.	Part Number	Early Design Part Status	Description	Quantity		
				Early Design		Latest Design
				Manifold Ports	Manifold Ports	9/16-18 O-ring Ports
1	20145-7		Cap Screw	4	4	4
2	21108		End Cap	1	—	—
	6279		End Cap	—	1	1
3	15049		Seal, O-ring	1	1	1
4	9004-5		Seal, Quad	2	2	2
5	13		Washer, Backup	2	2	2
6	—	N/A	Control Parts Assembly†	1	—	—
	22923		Control Parts Assembly†	—	1	—
	22925		Control Parts Assembly†	—	—	1
	22924		Control Parts Assembly††	—	1	—
	22810		Control Parts Assembly†††	—	1	—
7	64431		Spring Kit, Centering **	1	1	1
8	15		Pin	1	1	1
9	*		Drive, Control End	1	1	1
10	594	N/A	Plate, Spacer	2	—	—
	22368		Plate, Spacer	—	2	2
11	*	N/A	Gerotor	1	—	—
	*		Gerotor	—	1	1
12	*		Drive, Power End	1	1	1
13	142		Shaft, Power End	1	1	1
	22481		Shaft, Power End w/Bearing	—	1	1
14	141	N/A	Housing, Power End	1	—	—
	21312-2		Housing, Power End	—	1	1
	22491		Housing, Power End w/Bearing	—	1	1
15	*		Capscrew, Power End	7	7	7
16	9086-2		Seal	—	4	4
17	15009		Seal, O-ring	2	2	—
18	18033		Key, Woodruff ***	2	2	2
	21122		Seal Kit (Buna N)			
	64427		Seal Kit (Viton)			

N/A Not Available (These Items No Longer Available form Eaton)

\* See Displacement Chart — Page 2 (Displacement and Product Numbers on Page 4)

\*\* Includes Spacers (2) for Low Input Torque Spring Package or (6) Springs for the Standard Spring Package

\*\*\* Included Only with Special Models

† Standard Shaft w/Crosshole and Key Slot

†† Standard Shaft w/Crosshole and Key Slot and Low Torque Spring Package

††† Tang Drive Shaft End (Special)

# Torque Generator

## How to Order Replacement Parts

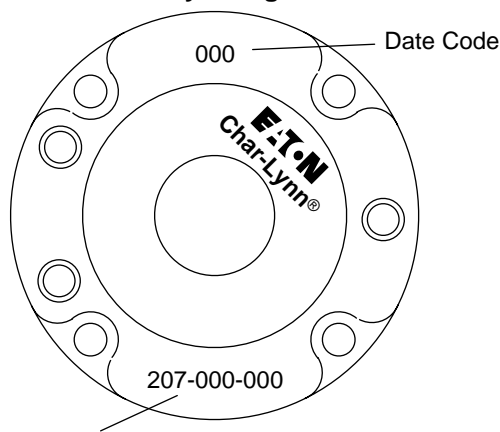
Each Order Must Include the Following:

1. Product Number
2. Date Code
3. Part Name
4. Part Number
5. Quantity of Parts

Ports	Displacement cu.cm./rev. [cu. in./rev.]	Product Number	Feature or Status
Manifold	101 [ 6.2]	207-1001-006	Mounting Face as Cast—N/A
Manifold	167 [10.2]	207-1002-006	Mounting Face as Cast—N/A
Manifold	96 [ 5.9]	207-1012-001	Mounting Face as Cast—N/A
Manifold	160 [ 9.7]	207-1013-001	Mounting Face as Cast—N/A
9/16-18 UNF	96 [ 5.9]	207-1016-001	Mounting Face as Cast—N/A
9/16-18 UNF	160 [ 9.7]	207-1017-001	Mounting Face as Cast—N/A
9/16-18 UNF	76 [ 4.7]	207-1049-001	Machined Mounting Face Each End
9/16-18 UNF	96 [ 5.9]	207-1050-001	Machined Mounting Face Each End
9/16-18 UNF	160 [ 9.7]	207-1048-001	Machined Mounting Face Each End
Manifold	76 [ 4.7]	207-1030-001	Machined Mounting Face Each End
Manifold	96 [ 5.9]	207-1015-001	Machined Mounting Face Each End
Manifold	160 [ 9.7]	207-1020-001	Machined Mounting Face Each End
Manifold	76 [ 4.7]	207-1051-001	Power End w/Bearing and Machined Faces
Manifold	96 [ 5.9]	207-1028-001	Power End w/Bearing and Machined Faces
Manifold	160 [ 9.7]	207-1052-001	Power End w/Bearing and Machined Faces

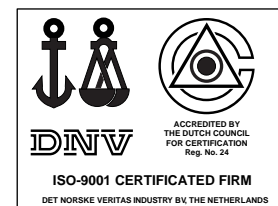
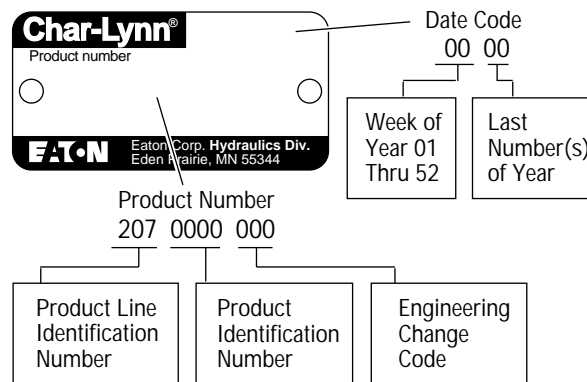
N/A — Not Available (Choose Replacement Unit from Current Models on this List)

### Early Design



Product Number

### Latest Design



Quality System Certified  
Products in this catalog are manufactured in an ISO-9001-certified site.

Eaton Corporation  
Hydraulics Division  
15151 Hwy. 5  
Eden Prairie, MN 55344  
Telephone 612/937-9800  
Fax 612/937-7130

Eaton Ltd.  
Hydraulics Division  
Glenrothes, Fife  
Scotland, KY7 4NW  
Telephone 01-592-771-771  
Fax 01-592-773-184

Eaton GmbH  
Hydraulics Products  
Am Schimmersfeld 7  
40880 Ratingen, Germany  
Telephone 02102-406-830  
Fax 02102-406-800

<http://www.eaton.com>

Copyright Eaton Corporation, 1991  
All Rights Reserved  
Printed in USA

Form No. 6-318

