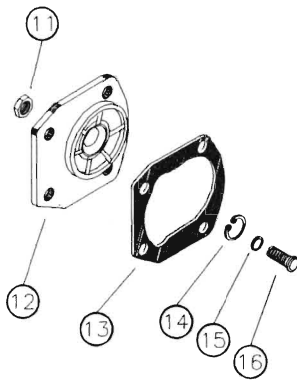
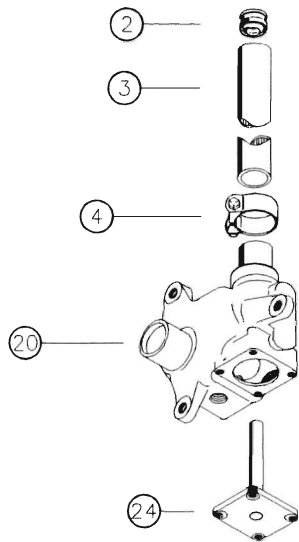
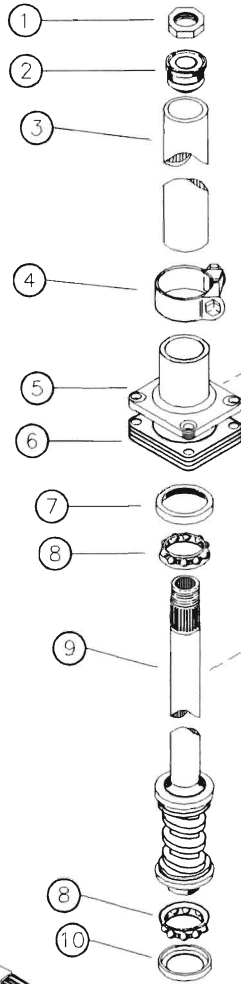


TRW/ROSS 253 SERIES

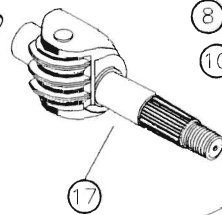
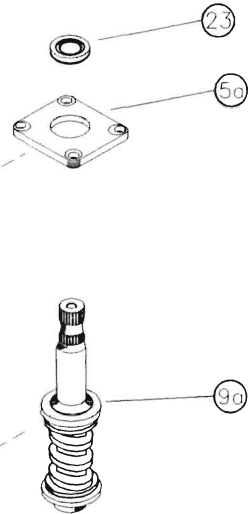
ALTERNATE CONSTRUCTION



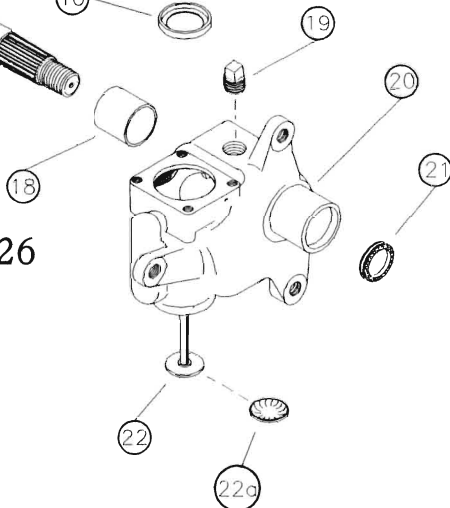
INTEGRAL COLUMN



NON-INTEGRAL COLUMN



24DC26



RK 600 TRW/ROSS 253 SERIES

INCLUDES ALL PARTS SHOWN IN **BOLD TYPE**

Key No.	Stock P/N	Part Name	Qty	Key No.	Stock P/N	Part Name	Qty
1	10110	Nut	1	13	10905	Gasket	1
2	*11304	Tube Jacket Bearing	1	14	14402	Snap Ring	1
3		Tube Jacket	1	15	14508	Washer	1
4	14013	Clamp	1	16	13703	Adjuster Screw	1
5		Top Cover	1	17		Rollershaft	1
5a	13911	Top Cover	1	18		Bushing	1
6	14201	Shim .002 thick	2		10808	3/4" Length	
	14202	Shim .003 thick	2		10803	1 5/16" Length	
	14203	Shim .010 thick	2	19		Fill Plug	1
7	10207	Bearing Cup	1	20		Housing	1
8	10219	Bearing	2	21	10716	Oil Seal	1
9		Wormshaft	1	22	13901	End Cover and Tube	1
9a		Wormshaft	1	22a	13913	End Cover	1
10	10205	Bearing Cup	1			(No wire access)	
11		Nut	1	23	10713	Oil Seal	1
12	13907	Side Cover	1	24		End Cover and Tube	1

***Note:** This part replaces bearing, seat, and spring used as original equipment.