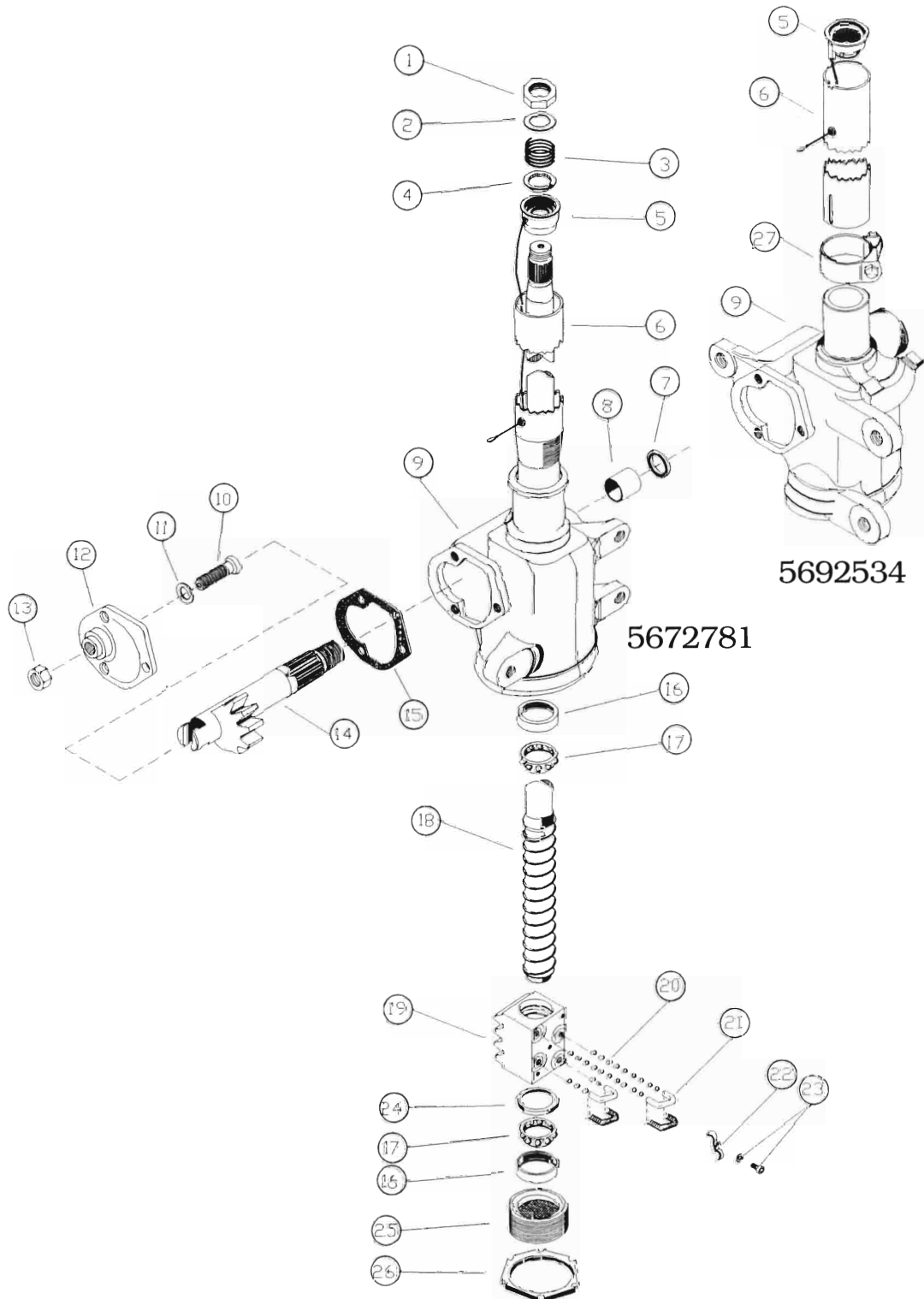
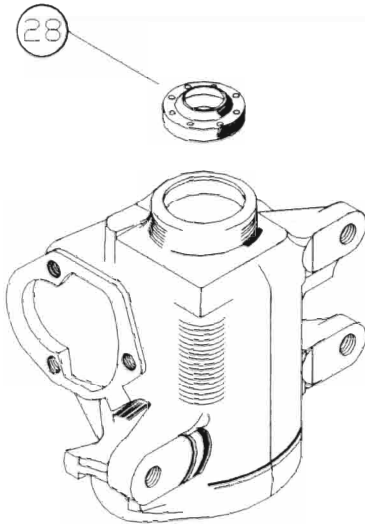


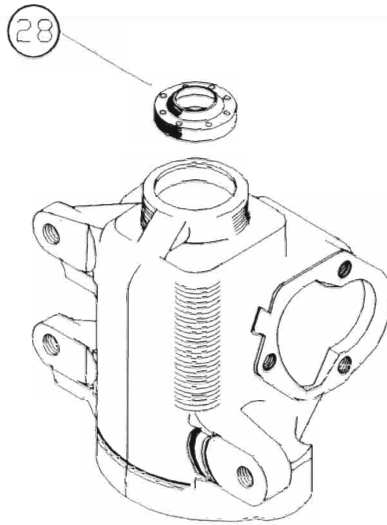
# SAGINAW 525 SERIES-INTEGRAL COLUMN



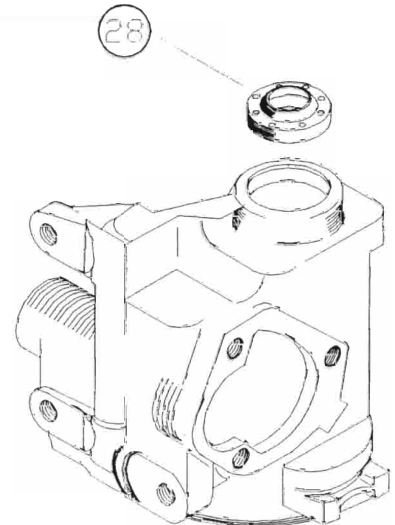
# SAGINAW 525 SERIES-NON INTEGRAL COLUMN HOUSING AND SHAFT VARIATIONS



5679142



5693665



5698180



KEYED



30 SPLINE  
W/FLAT



36 SPLINE  
W/BOLT GROOVE



36 SPLINE  
W/BOLT NOTCH

**RK 550**  
**SAGINAW 525 SERIES**  
 FOR NON INTEGRAL COLUMN APPLICATIONS

INCLUDES ALL PARTS SHOWN IN **BOLD TYPE**

Key No.	Stock P/N	Part Name	Qty	Key No.	Stock P/N	Part Name	Qty
1		(Not Used)		15	<b>10909</b>	<b>Gasket</b> -----	<b>1</b>
2		(Not Used)		16	<b>10206</b>	<b>Bearing Cup</b> -----	<b>2</b>
3		(Not Used)		17	<b>10218</b>	<b>Bearing</b> -----	<b>2</b>
4		(Not Used)		18		Ball Nut/Shaft Assy -----	1
5		(Not Used)		19		Ball Nut-----	1
6		(Not Used)		20	10203	Ball Bearing-----	AR
7	<b>10709</b>	<b>Seal</b> -----	<b>1</b>	21		Ball Guide-----	4
8	<b>10806</b>	<b>Bushing</b> -----	<b>1</b>	22		Ball Guide Clamp -----	1
9		Housing -----	1	23		Bolt and Washer-----	AR
10	13802	Adjuster Bolt-----	1	24	10226	Bearing Retainer-----	1
11	<b>14213</b>	<b>Shim .069</b> -----	<b>1</b>	25	13902	Adjuster/End Cover-----	1
12	13905	Side Cover-----	1	26	10113	Lock Ring Nut-----	1
13	10109	Nut-----	1	27		(Not Used)	
14		Pitman Shaft-----	1	28	<b>10710</b>	<b>Seal</b> -----	<b>1</b>