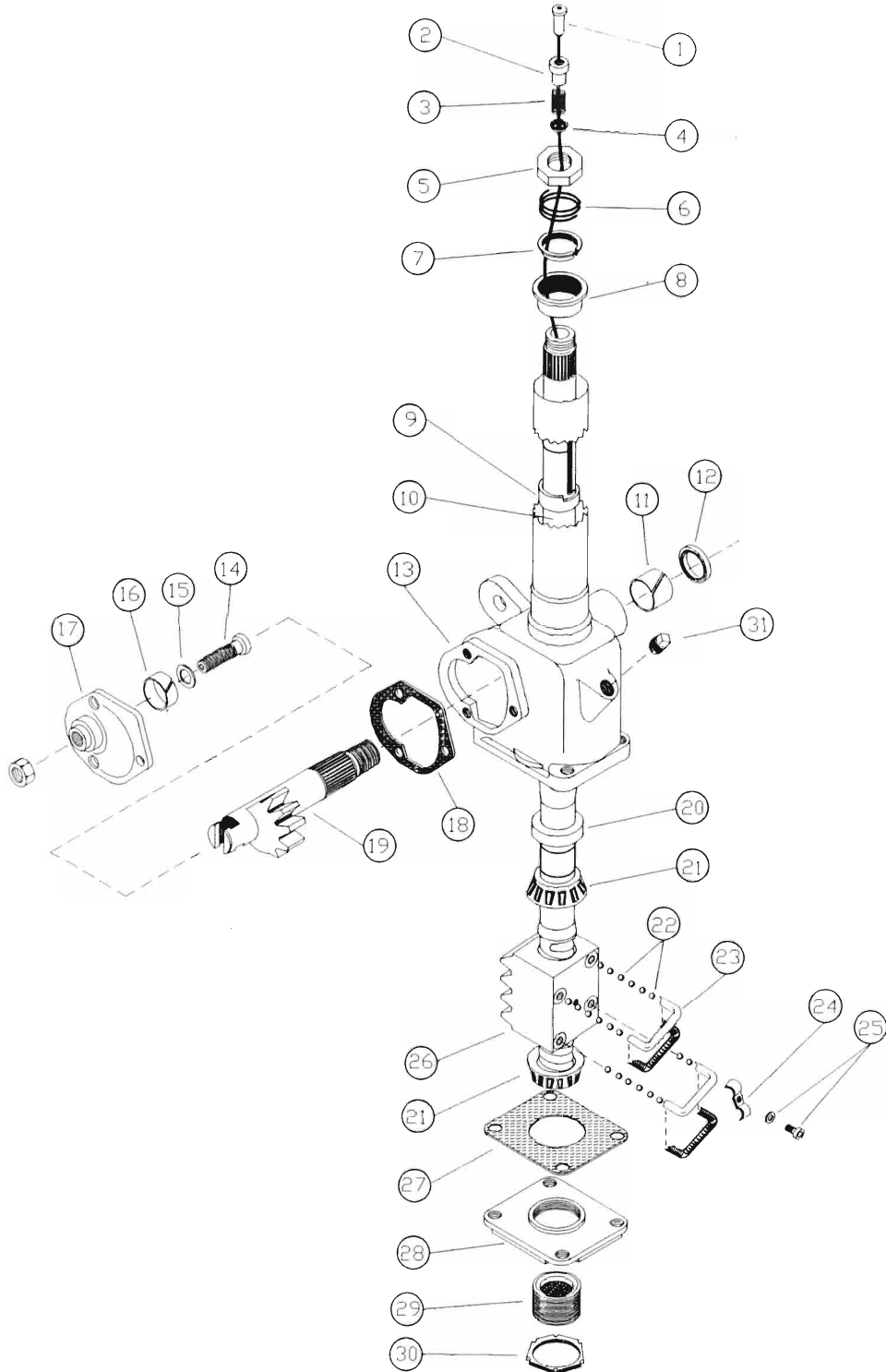
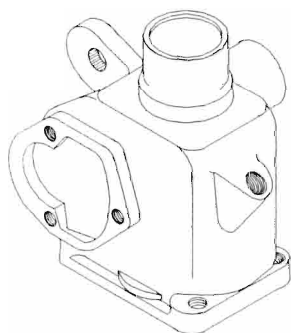


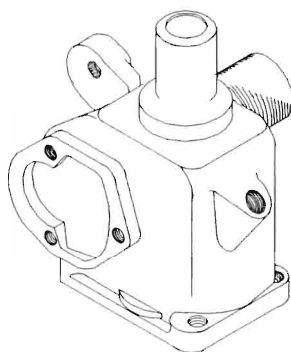
SAGINAW 530 SERIES



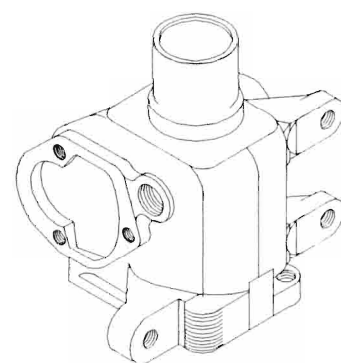
SAGINAW 530 SERIES HOUSING AND SHAFT VARIATIONS



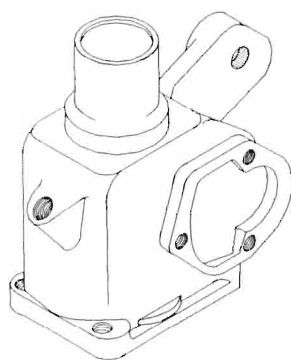
267283



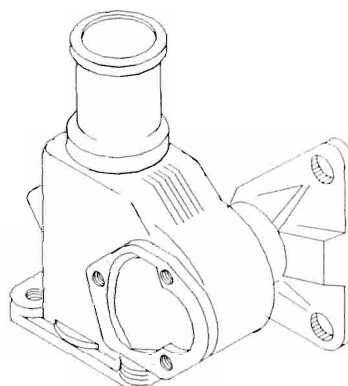
267284



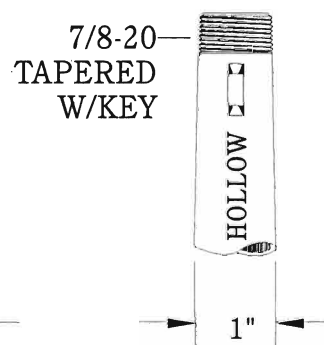
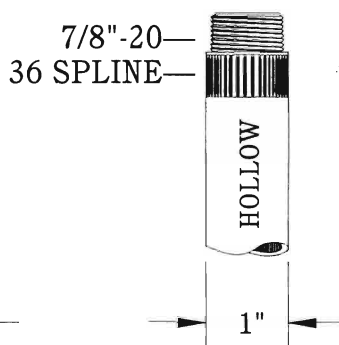
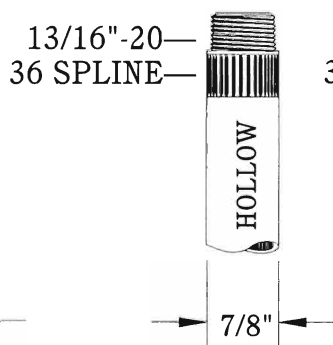
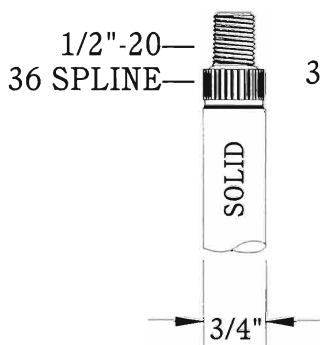
5691526



5660041



5668220



RK 200
SAGINAW 530 SERIES
 FOR APPLICATIONS WITH 7/8" O.D. HOLLOW COLUMN SHAFT

INCLUDES ALL PARTS SHOWN IN **BOLD TYPE**

Key No.	Stock P/N	Part Name	Qty	Key No.	Stock P/N	Part Name	Qty
1	14306	Contact Terminal -----	1	16	10809	Bushing -----	1
2	14307	Ferrule Insulator -----	1	17	13905	Side Cover -----	1
3	*14305	Contact Spring -----	1	18	10906	Gasket -----	1
4	*14304	Contact Cup -----	1	19		Pitman Shaft -----	1
5	10115	Nut -----	1	20	10210	Bearing Race -----	1
6		(Not Used)		21	10211	Bearing -----	2
7		(Not Used)		22	10203	Ball Bearing -----	60
8	11305	Tube Jacket Brg -----	1	23		Ball Guide -----	4
9	*14303	Contact -----	1	24		Ball Guide Clamp -----	1
10		Ball Nut/Shaft Assy ----- Includes Key #'s: 1-4, 9, 21 (one only), and 22-26.	1	25	13701	Bolt and Washer -----	1
11	10806	Bushing -----	2	26		Ball Nut -----	1
12	10709	Seal -----	1	27	10907	Gasket -----	1
13		Housing -----	1	28	13903	Bottom Cover -----	1
14	13802	Adjuster Bolt-----	1	29	10212	Adjuster Race -----	1
15	14213	Shim .069 -----	1	30	10107	Lock Ring Nut -----	1

*Note: **Electric Truck Applications** - Use (2) of key # 9 and disregard key #'s 3 and 4.

RK 250
SAGINAW 530 SERIES
 FOR APPLICATIONS WITH 1" O.D. HOLLOW COLUMN SHAFT

INCLUDES ALL PARTS SHOWN IN BOLD TYPE

Key No.	Stock P/N	Part Name	Qty	Key No.	Stock P/N	Part Name	Qty
1	14306	Contact Terminal -----	1	16	10809	Bushing -----	1
2	14307	Ferrule Insulator -----	1	17	13905	Side Cover -----	1
3	*14305	Contact Spring -----	1	18	10906	Gasket -----	1
4	*14304	Contact Cup -----	1	19		Pitman Shaft -----	1
5	10116	Nut -----	1	20	10210	Bearing Race -----	1
6	14104	Spring -----	1	21	10211	Bearing -----	2
7	14011	Spring Seat -----	1	22	10203	Ball Bearing -----	60
8	11303	Tube Jacket Brg -----	1	23		Ball Guide -----	4
9	*14301	Contact -----	1	24		Ball Guide Clamp -----	1
10		Ball Nut/Shaft Assy ----- Includes Key #'s: 1-4, 9, 21 (one only), and 22-26.	1	25	13701	Bolt and Washer -----	1
				26		Ball Nut -----	1
11	10806	Bushing -----	1	27	10907	Gasket -----	1
12	10709	Seal -----	1	28	13903	Bottom Cover -----	1
13		Housing -----	1	29	10212	Adjuster Race -----	1
14	13802	Adjuster Bolt -----	1	30	10107	Lock Ring Nut -----	1
15	14213	Shim .069 -----	1				

*Note: **Electric Truck Applications** - Use (2) of key # 9 and disregard key #'s 3 and 4.

RK 350
SAGINAW 530 SERIES
 FOR APPLICATIONS WITH 3/4" O.D. SOLID COLUMN SHAFT

INCLUDES ALL PARTS SHOWN IN BOLD TYPE

Key No.	Stock P/N	Part Name	Qty	Key No.	Stock P/N	Part Name	Qty
1		(Not Used)		16	10809	Bushing -----	1
2		(Not Used)		17	13905	Side Cover -----	1
3		(Not Used)		18	10906	Gasket -----	1
4		(Not Used)		19		Pitman Shaft -----	1
5	10108	Nut -----	1	20	10210	Bearing Race -----	1
6	*14103	Spring -----	1	21	10211	Bearing -----	2
7	*14010	Spring Seat -----	1	22	10203	Ball Bearing -----	60
8	11313	Tube Jacket Brg -----	1	23		Ball Guide -----	4
9		(Not Used)		24		Ball Guide Clamp -----	1
10		Ball Nut/Shaft Assy ----- Includes Key #'s: 1-4, 9, 21 (one only), and 22-26.	1	25	13701	Bolt and Washer -----	1
				26		Ball Nut -----	1
11	10806	Bushing -----	2	27	10907	Gasket -----	1
12	10709	Seal -----	1	28	13903	Bottom Cover -----	1
13		Housing -----	1	29	10212	Adjuster Race -----	1
14	13802	Adjuster Bolt -----	1	30	10107	Lock Ring Nut -----	1
15	14213	Shim .069 -----	1				

***Note:** Spring and spring seat not required when using new style 11313 bearing and cable.