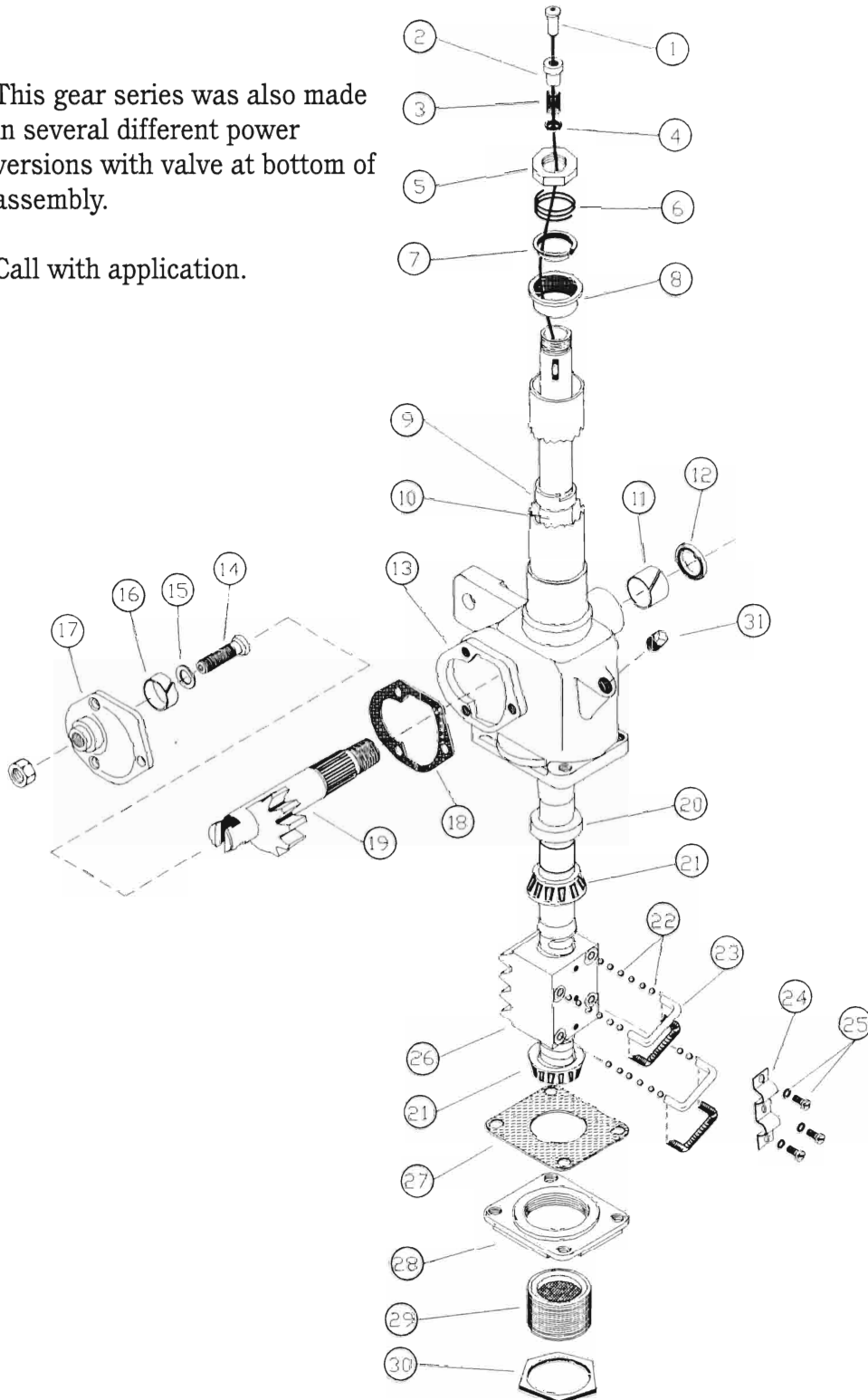


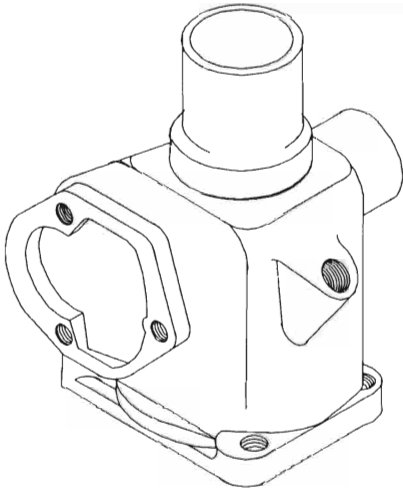
SAGINAW 548 MANUAL SERIES

This gear series was also made in several different power versions with valve at bottom of assembly.

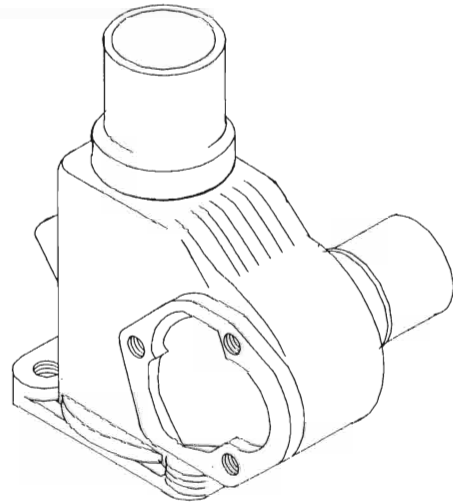
Call with application.



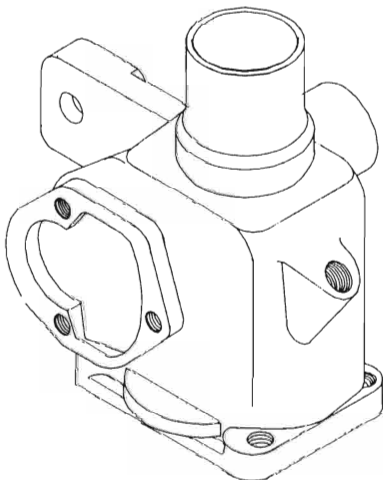
**SAGINAW 548 MANUAL SERIES
HOUSING AND SHAFT VARIATIONS**



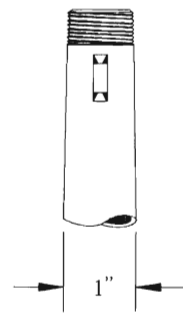
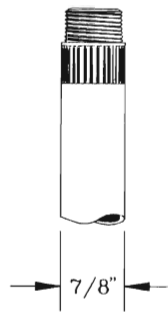
267135/7803434



267053/7803705



268254/7803263



RK 370
SAGINAW 548 MANUAL SERIES
 FOR APPLICATIONS WITH 7/8" O.D. COLUMN SHAFT

INCLUDES ALL PARTS SHOWN IN BOLD TYPE

Key No.	Stock P/N	Part Name	Qty	Key No.	Stock P/N	Part Name	Qty
1	14306	Contact Terminal	1	16	10809	Bushing	1
2	14307	Ferrule Insulator	1	17	13906	Side Cover Assembly	1
3	*14305	Contact Spring	1	18	10906	Gasket	1
4	*14304	Contact Cup	1	19		Pitman Shaft	1
5	10115	Nut	1	20	10215	Bearing Race	1
6		(Not Used)		21	10214	Bearing	2
7		(Not Used)		22	10203	Ball Bearing	106
8	11305	Tube Jacket Brg	1	23		Ball Guide	4
9	*14303	Contact	1	24		Ball Guide Clamp	1
10		Ball Nut/Shaft Assy Includes Key #'s: 1-4, 9, 21 (one only), and 22-26.	1	25	13701	Bolt and Washer	1
				26		Ball Nut	1
11	10805	Bushing	1	27	10908	Gasket	1
12	10718	Seal	1	28	13914	Bottom Cover	1
13		Housing	1	29	10213	Adjuster Race	1
14	13802	Adjuster Bolt	1	30	10117	Lock Ring Nut	1
15	14213	Shim .069	1				

*Note: **Electric Truck Applications** - Use (2) of key # 9 and disregard key #'s 3 and 4.

RK 375
SAGINAW 548 MANUAL SERIES
 FOR APPLICATIONS WITH 1" O.D. COLUMN SHAFT

INCLUDES ALL PARTS SHOWN IN BOLD TYPE

Key No.	Stock P/N	Part Name	Qty	Key No.	Stock P/N	Part Name	Qty
1	14306	Contact Terminal -----	1	16	10809	Bushing-----	1
2	14307	Ferrule Insulator -----	1	17	13906	Side Cover Assembly-----	1
3	*14305	Contact Spring -----	1	18	10906	Gasket -----	1
4	*14304	Contact Cup -----	1	19		Pitman Shaft -----	1
5	10116	Nut -----	1	20	10215	Bearing Race -----	1
6	**14104	Spring -----	1	21	10214	Bearing -----	2
7	**14011	Spring Seat -----	1	22	10203	Ball Bearing -----	106
8	11310	Tube Jacket Brg -----	1	23		Ball Guide -----	4
9	14301	Contact -----	1	24		Ball Guide Clamp -----	1
10		Ball Nut/Shaft Assy ----- Includes Key #'s: 1-4, 9, 21 (one only), and 22-26.	1	25	13701	Bolt and Washer -----	1
				26		Ball Nut-----	1
11	10805	Bushing -----	1	27	10908	Gasket -----	1
12	10718	Seal -----	1	28	13914	Bottom Cover-----	1
13		Housing -----	1	29	10213	Adjuster Race -----	1
14	13802	Adjuster Bolt-----	1	30	10117	Lock Ring Nut -----	1
15	14213	Shim .069 -----	1				

*Note: **Electric Truck Applications** - Use (2) of key # 9 and disregard key #'s 3 and 4.

**Note: Spring and spring seat not required when using new style 11310 bearing and cable.