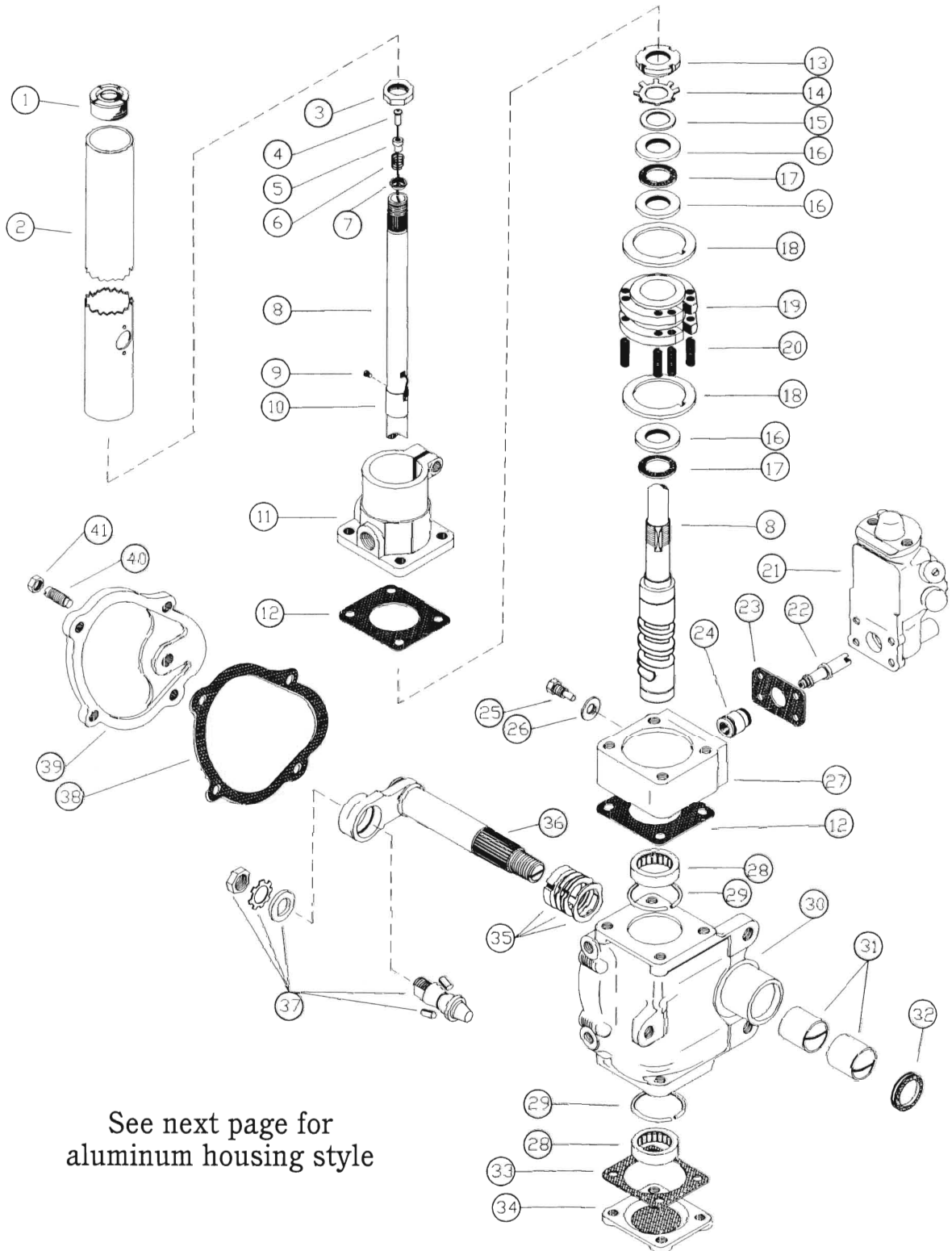


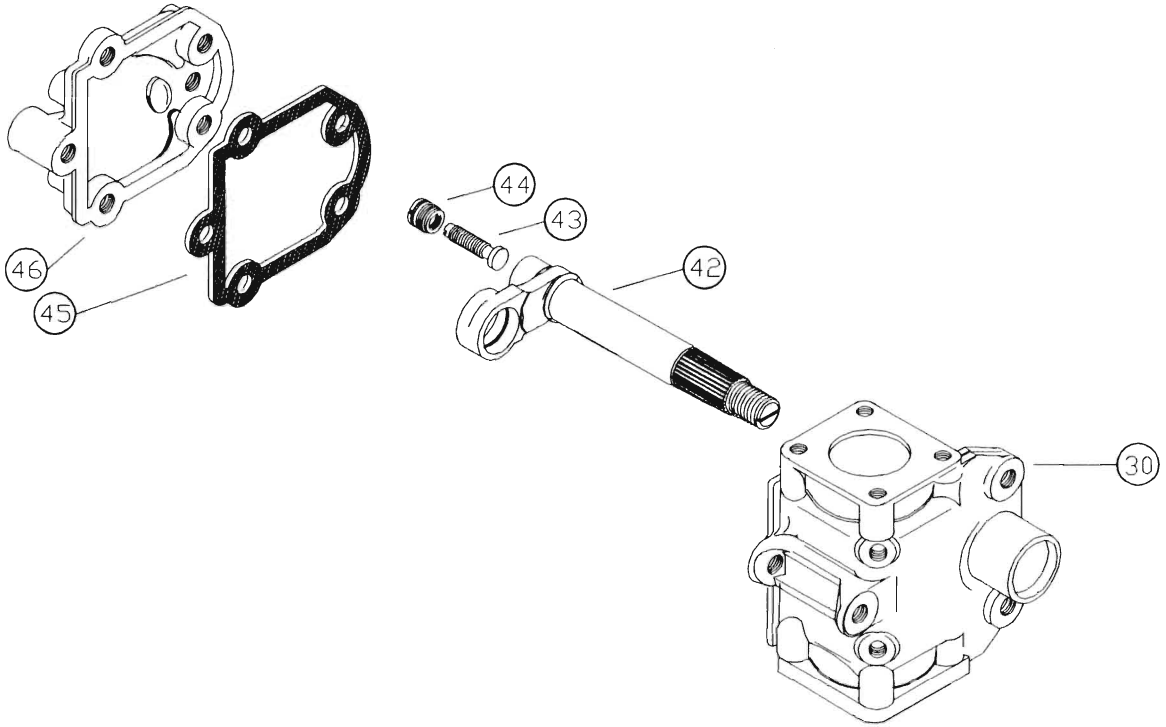
TRW/ROSS HPS 52 SERIES

EXTERNAL VALVE—CAST IRON HOUSING



See next page for
aluminum housing style

TRW/ROSS HPS 52 SERIES
ALUMINUM HOUSING



RK 300
TRW/ROSS HPS52 SERIES
EXTERNAL VALVE

INCLUDES ALL PARTS SHOWN IN **BOLD** TYPE

Key No.	Stock P/N	Part Name	Qty	Key No.	Stock P/N	Part Name	Qty
1	11305	Tube Jacket Brg -----	1	24	10802	Lever Bushing -----	1
2		Tube Jacket -----	1	25	13801	Actuator Stop Bolt -----	1
3	10110	Nut -----	1	26	14503	Lockwasher -----	1
4	14306	Contact Terminal -----	1	27	11401	Actuator Housing -----	1
5	14307	Ferrule Insulator -----	1			(Includes Key # 24)	
6	14305	Contact Spring -----	1	28	10224	Needle Bearing -----	2
7	14304	Contact Cup -----	1	29	14406	Snap Ring -----	2
8		Cam and Tube -----	1	30		Housing -----	1
9	13702	Nylon Screw -----	1	31	10804	Bushing -----	2
10	14302	Contact Bushing -----	1	32	10717	Oil Seal -----	1
11		Top Cover -----	1	33	10914	Gasket -----	1
12	10901	Gasket -----	2	34		Bottom Cover -----	1
13	10106	Locknut -----	1	35		Shim Pack -----	1
14	14505	Lockwasher -----	1		14512	Retainer Washer -----	1
15	14514	Washer -----	1		14518	Thrust Washer -----	1
16	14515	Thrust Washer -----	3		14210	Shim .002 thick -----	2
17	10222	Thrust Bearing -----	2		14211	Shim .003 thick -----	2
18		Centering Washer -----	2		14212	Shim .010 thick -----	2
	14502	.160 thick		36		Levershaft -----	1
	14517	.200 thick		37	13004	Stud Roller Brg -----	1
19	14002	Actuator -----	1	38	10918	Gasket -----	1
20	14106	Centering Spring -----	8	39		Side Cover -----	1
21		Control Valve -----	1	40		Adjuster Screw -----	1
		Serviced separately		41		Locknut -----	1
		- See V14 or HP70		42		Levershaft -----	1
		Valve parts list.		43	13803	Adjuster Bolt -----	1
22		Actuator Lever -----	1	44	10112	Retainer Nut -----	1
	14003	For use with 14502 washer.		45	10903	Gasket -----	1
	14004	For use with 14517 washer.		46	13910	Side Cover -----	1
23	10915	Gasket -----	1				