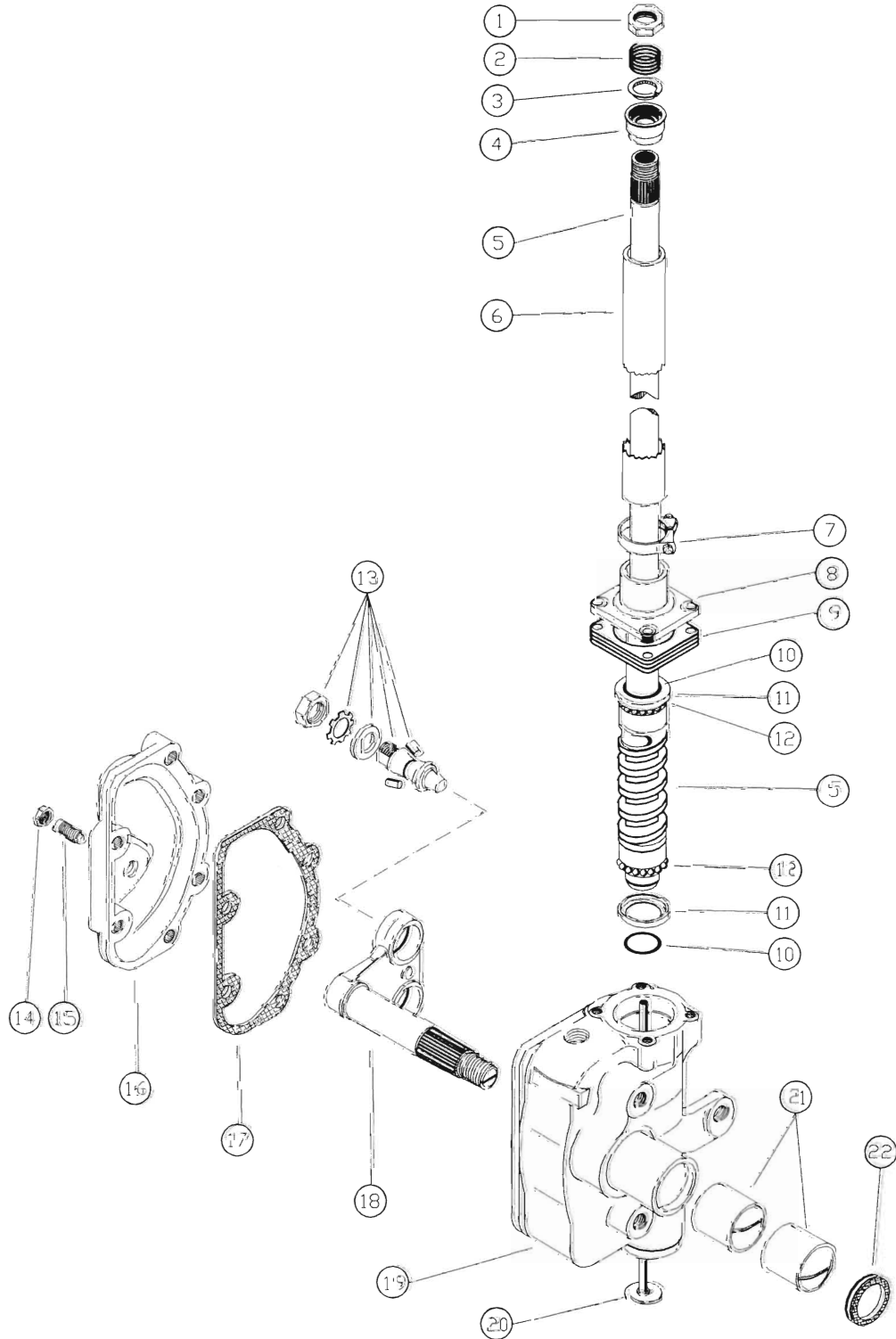


**TRW/ROSS TA54/TE54/TA61/T(A)(E)66/TA70/TL52**  
WITH INTEGRAL COLUMN



**RK 510**  
**TRW/ROSS TE54 SERIES**  
 WITH INTEGRAL COLUMN

INCLUDES ALL PARTS SHOWN IN **BOLD TYPE**

Key No.	Stock P/N	Part Name	Qty	Key No.	Stock P/N	Part Name	Qty
1	10115	Nut -----	1	12	<b>10219</b>	<b>Bearing</b> -----	<b>2</b>
2	14108	Spring-----	1	13	<b>13003</b>	<b>Stud Bearing Set</b> -----	<b>1</b>
3	14014	Spring Seat -----	1	14		Locknut -----	1
4	<b>*11304</b>	<b>Tube Jacket Brg</b> -----	<b>1</b>	15		Adjuster Screw -----	1
5		Cam and Tube-----	1	16		Side Cover -----	1
6		Tube Jacket -----	1	17		Gasket----- (Not Available)	1
7	14013	Clamp -----	1	18		Levershaft -----	1
8		Upper Cover -----	1	19		Housing -----	1
9	<b>14214</b>	<b>Shim .002 thick</b> -----	<b>2</b>	20		End Cover and Tube -----	1
	<b>14215</b>	<b>Shim .003 thick</b> -----	<b>2</b>	21	<b>10803</b>	<b>Bushing</b> -----	<b>2</b>
	<b>14216</b>	<b>Shim .010 thick</b> -----	<b>2</b>	22	<b>10717</b>	<b>Oil Seal</b> -----	<b>1</b>
10		(Not Used)					
11	<b>10205</b>	<b>Brg Cup</b> -----	<b>2</b>				

\*This part does not require key #'s 2 and 3.