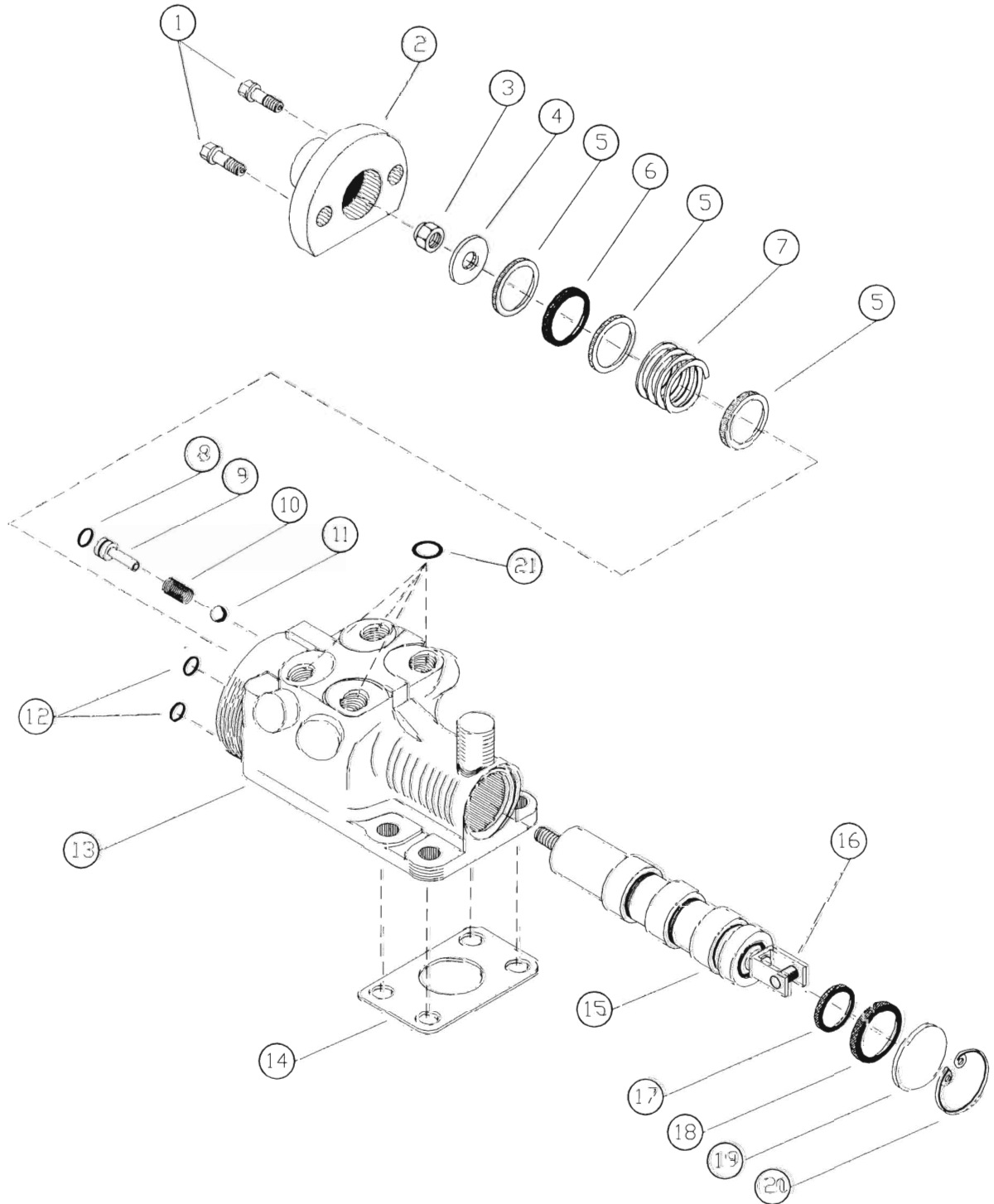


# TRW/ROSS V14 SERIES VALVE



**RK 150**  
**TRW/ROSS V14 SERIES VALVE**  
 PARTS IDENTIFICATION AND KIT CONTENTS

INCLUDES ALL PARTS SHOWN IN **BOLD TYPE**  
**Kit # SK150** — Includes O'Rings only.

Key No.	Stock P/N	Part Name	Qty	Key No.	Stock P/N	Part Name	Qty
1		Screw .....	1	12	<b>11113</b>	<b>O'Ring</b> .....	<b>2</b>
2		Cover .....	1	13		Valve Body .....	1
3	<b>10101</b>	<b>Locknut</b> .....	<b>1</b>	14	<b>10915</b>	<b>Gasket</b> .....	<b>1</b>
4	<b>14510</b>	<b>Washer</b> .....	<b>1</b>	15		Spool .....	1
5	<b>14509</b>	<b>Washer</b> .....	<b>3</b>	16		Clevis .....	1
6	<b>11106</b>	<b>O'Ring</b> .....	<b>1</b>	17	<b>11115</b>	<b>O'Ring</b> .....	<b>1</b>
7	<b>14102</b>	<b>Spring</b> .....	<b>1</b>	18	<b>11114</b>	<b>O'Ring</b> .....	<b>1</b>
8	<b>11101</b>	<b>O'Ring</b> .....	<b>1</b>	19	<b>13912</b>	<b>End Plate</b> .....	<b>1</b>
9	<b>14009</b>	<b>Plug</b> .....	<b>1</b>	20	<b>14401</b>	<b>Snap Ring</b> .....	<b>1</b>
10	<b>14101</b>	<b>Spring</b> .....	<b>1</b>	21	<b>11108</b>	<b>O'Ring</b> .....	<b>4</b>
11	<b>14005</b>	<b>Check Ball</b> .....	<b>1</b>				

- Note:**
1. Ports may also be on sides of valve body.
  2. Early design valves may use a different size o'ring and matching washers (Key No.'s 5 and 6). If the small end of your spool measures .659", call for assistance.